

Euro Profile Cylinder



Application

Compatible with locks and lock cases using Euro profile cylinder.

Operation

360° rotation by operating key or thumbturn. Standard double cylinder, full key insertion disengages other side.

Materials

Body and plug: Brass.
Cam and cogwheel: Steel.
Pins: Nickel Silver & Stainless Steel.

Available Finishes

See table in page C490v1.

Cylinder Mechanism

Mul-T-Lock® unique, high precision up to 10 telescopic pin tumbler system. Pick and drill resistant for high security needs.

Keys

Reversible Nickel Silver key with plastic key head and coloured insert. Also available in all-Nickel Silver.

Key Security

Orders for keys marked "do not duplicate" should only be made upon presentation of a key card.

Cylinder Options

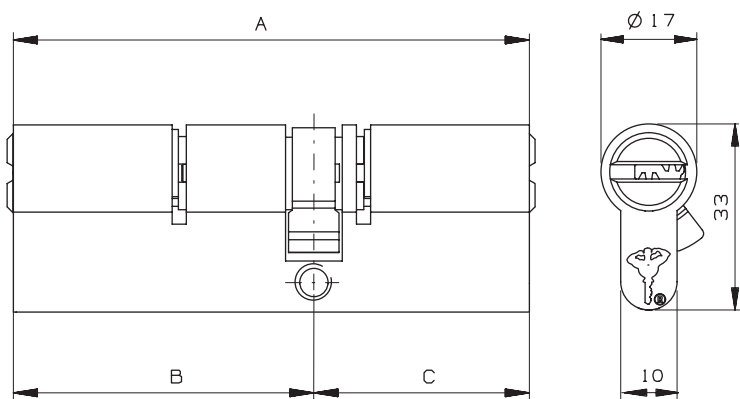
Classic, *Interactive*® (patented).
'3 IN 1' (changeable combination).
Keyed different, Keyed alike,
Master keyed.
Variety of thumbturns, cams and cogwheels.

'Emergency' cylinder with both sides permanently operational.

Standards

ISI 950, by special order can be made comply to:
DIN, VDS, SKG, CEN, UL437, A2P.

Double Cylinder



Single Cylinder

